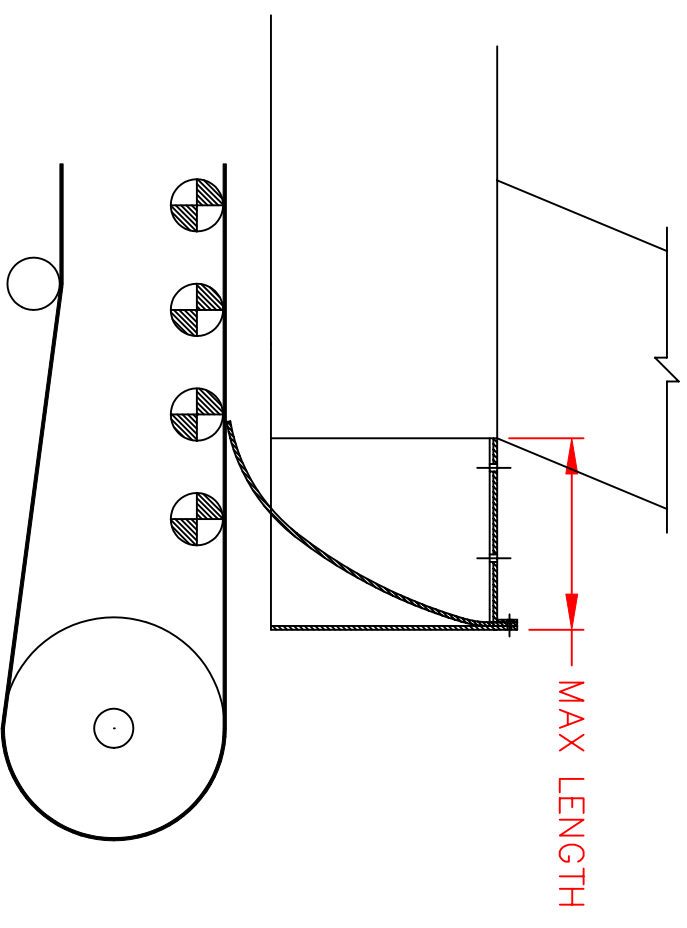
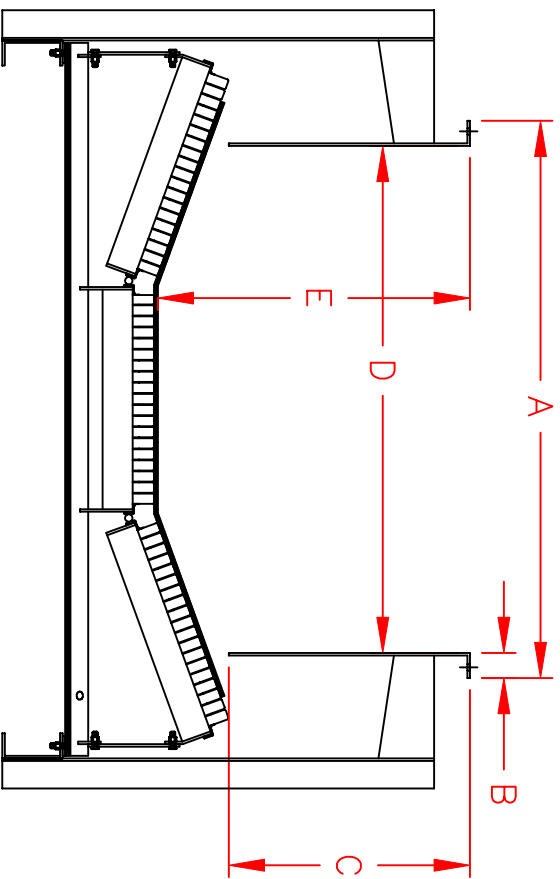


# DUST CONTROL, INC. BLOW OUT PREVENTER APPLICATION DATA SHEET

- A (Lid Width) = \_\_\_\_\_
- B (Flange Width) = \_\_\_\_\_
- C (Side Height) = \_\_\_\_\_
- D (Inside Width) = \_\_\_\_\_
- E (Inside Height) = \_\_\_\_\_



CUSTOMER NAME: \_\_\_\_\_

DIMS. VERIFIED BY: \_\_\_\_\_